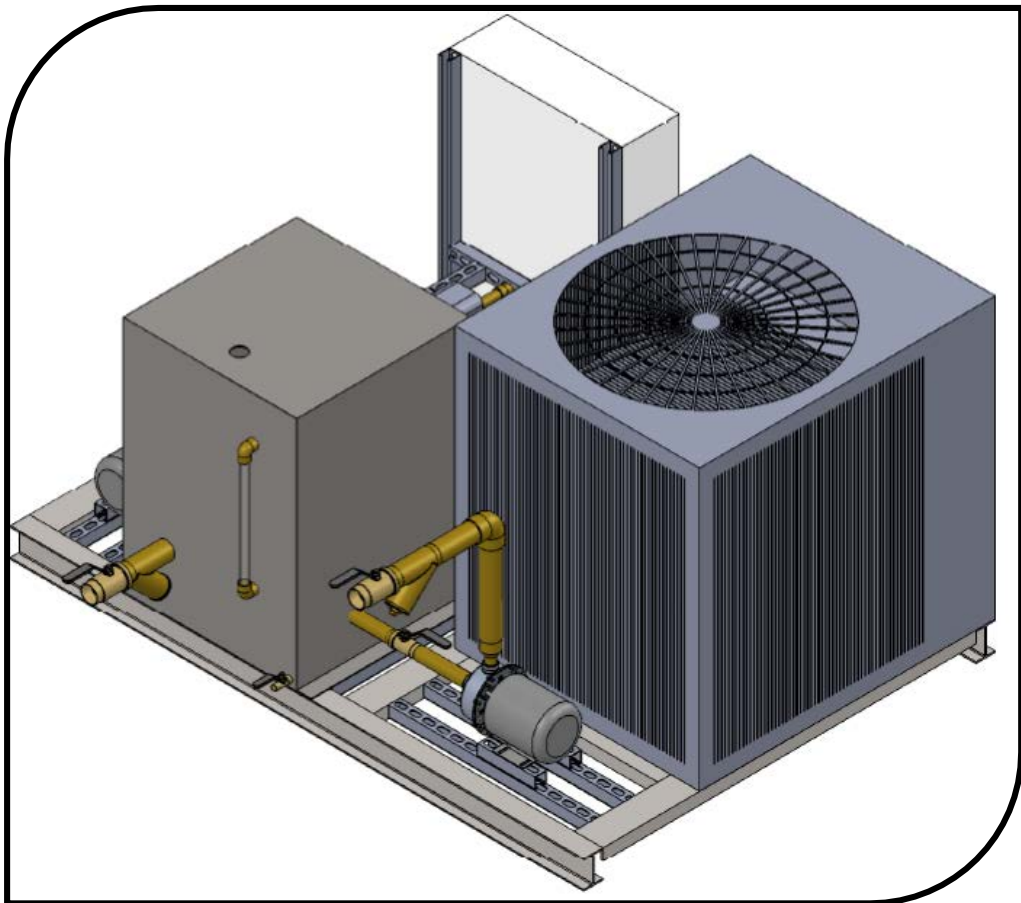




6TR Nominal Glycol Chiller



800.953.7700 • chillermen.com
280 Digital Drive, Morgan Hill, CA 95037 • 3991 N. Freeway Blvd., Sacramento, CA 95834



FEATURES AND BENEFITS

PLUG AND PLAY OPERATION

- Single point power connection for system. System available in 230 VAC or 460 VAC (60 Hz)
- Steel skid construction for easy transportation to final site of operation
- System delivered tested, charged, and programmed with Fluid Industrial Manufacturing proprietary controls paradigm

PROPRIETARY CONTROLS PARADIGM

- Controls software designed by Fluid Industrial Manufacturing in house engineering to ensure optimal temperature accuracy and precision over time
- System controls designed for system safety and reliability: high / low pressure switches, fluid flow switches, current transmitters, equal run time sequencers, PID temperature control, and more all included on base models

SERVICEABILITY AND RELIABILITY

- 12 month (365 day) warranty from ship date – with extended warranties available
- System designed for serviceability – all electrical panels, compressors, and pump motors are readily accessible by trained technicians and situated for easy replacement should it be required
- Isolation valves for pumps, evaporators, and overall system
- Safety systems ensure proper operation at all times to maximize system life span and minimize down time

STANDARD FEATURES			
Microprocessor Control	Outgoing Temp Control	Isolation Valves	Current Transmitters
Two Independent Compressor Circuits	Primary and Secondary Pumps	Factory Tuned and Tested	Diagnostic Display
OPTIONAL FEATURES			
Liquid Flow Switches	Low Ambient Controls	Communication Interface	Defrost Timer
Gauges and Displays	TRANE Coil Guard	Multiple Connection Styles	Additional Options Available on Request

Fluid Industrial Manufacturing
280 Digital Drive, Morgan Hill,
California 95037

TECHNICAL SPECIFICATIONS

TABLE 1: Approximate System Thermal Capacity (BTU/hr)

		Suction Temperature [°F]					
		[30]	[35]	[40]	[45]	[50]	[55]
Ambient Temperature [°F]	[75]	62,500	62,500	70,000	77,500	85,000	92,500
	[85]	52,500	57,500	65,000	72,500	77,500	85,000
	[95]	47,500	52,500	60,000	67,500	72,500	80,000
	[105]	42,500	47,500	55,000	60,000	67,500	72,500
	[115]	37,500	42,500	50,000	55,000	62,500	67,500

TABLE 2: System Power Requirements

VOLTAGE [VAC]	FLA [AMP]	MCA [AMP]
230 / 60 HZ	25	31
460 / 60 HZ	13	22

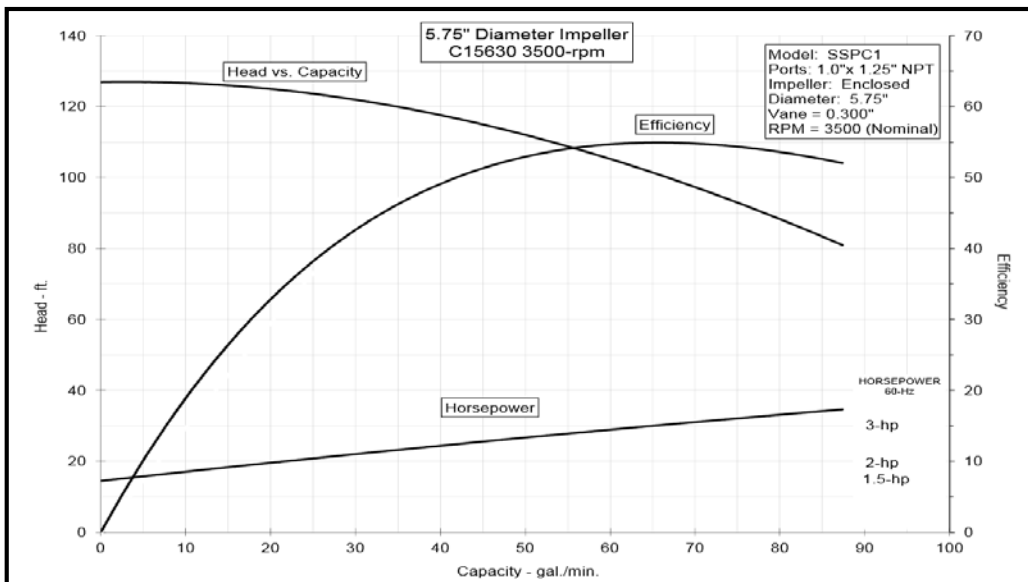


FIGURE 1: 3HP System Circulation Pump Curve

Fluid Industrial Manufacturing
 280 Digital Drive, Morgan Hill,
 California 95037

DIMENSIONS AND WEIGHTS

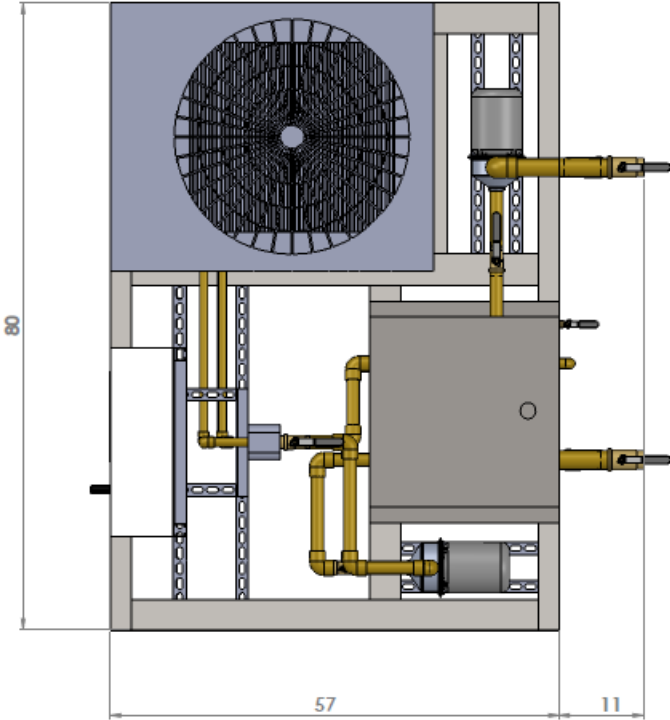


FIGURE 2: 6TR system top view dimensions (inches)

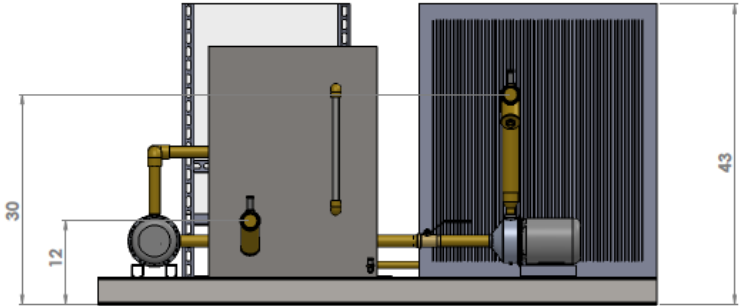


FIGURE 3: 6TR system front view dimensions (inches)

Approximate Operating Weight: 2250 Pounds